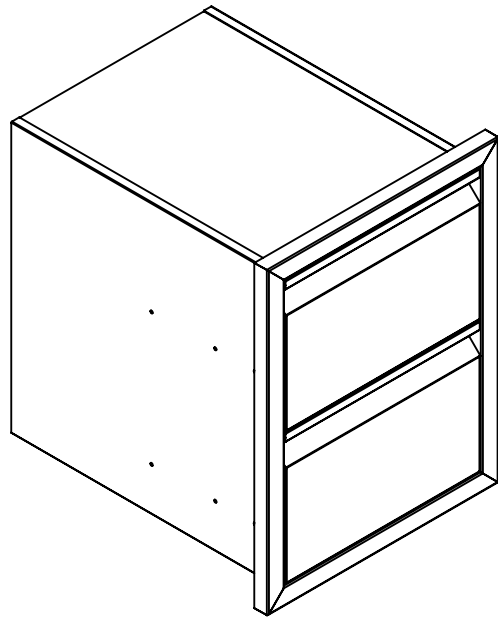
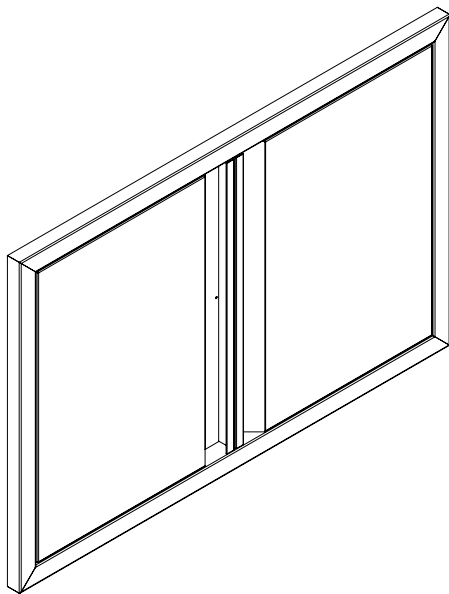




BUCK USA

Assembly and operating manual



*BE-AD2-32, BE-DRW2-15

Built-in Doors & Drawers & Combos

Models: BE-TRLP-DRW, BE-TRNW-DRW, BE-1-2-30,
BE-1-3-39, BE-AD2-32, BE-AD38,
BE-SV20, BE-DRW2-15, BE-DRW3-15




Read the operating instructions before using the device.
Please keep the operating instructions for future reference.

Safety instructions



Definition of terms used

The following pictograms and signal words are used in these instructions to point out hazards and important information:

Safety instructions

Pictogram and signal word	Note on ...
 Danger	... a possible danger that can result in severe personal injury or damage to property if the stated measures are not taken.

Application instructions

Pictogram	Note on ...
	... a useful function or tip.
	... Danger of confusion; the symbol points to an easily visible part of the component.

General instructions



Caution: The installation may be performed by an experienced do-it-yourselfer. To do so, the specifications in these assembly instructions must be observed.

Failure to observe the following basic safety measures can result in severe injury to persons and substantial damage to property:

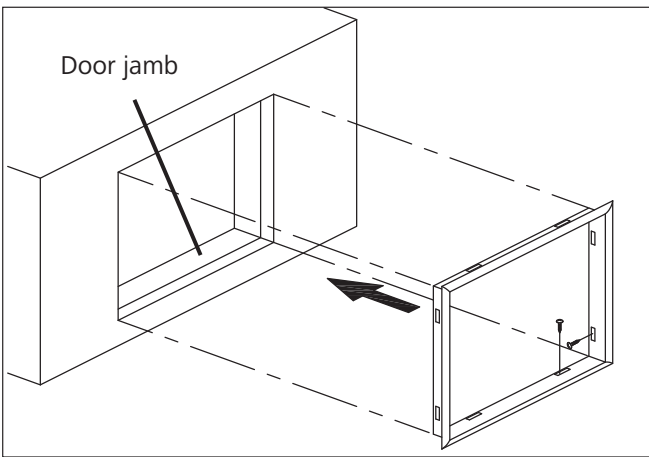
- If the units are combined with units from other manufacturers, they must also be considered.
- For proper installation, be sure to use the correct cutout dimensions as specified for your specific model number.
- For installation, it is recommended that you apply a silicone seam to the back of the frame before installing it. (Not included in the product scope)
- Some models may include an additional owner's manual.

Assembly

For proper installation, be sure to use the correct cutout dimensions as specified for your model number. Locate your model on the following pages for dimensions, and reference the cut-out diagram of your unit for proper orientation.

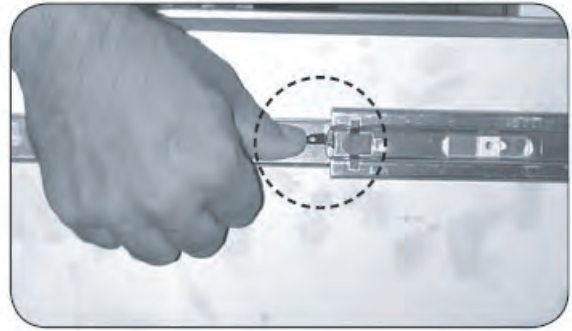
For door

Slide the unit into the opening of the island and screw the unit at the intended points using suitable screws (not included in the product scope).



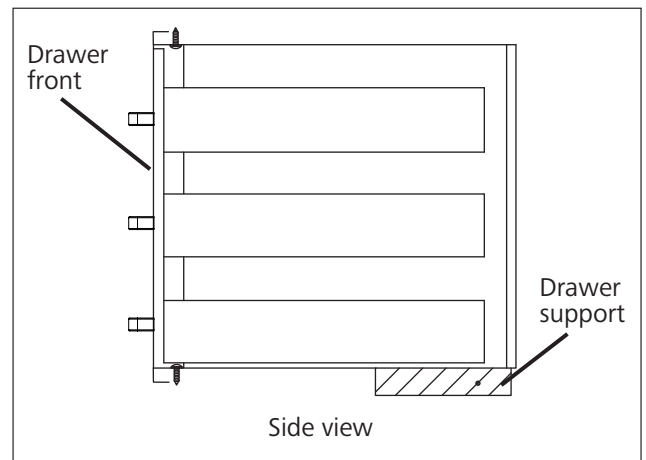
For drawer & combo :

Before installing your drawer & combo, remove the drawer from its base by completely pulling it out. Release the drawer from the drawer slides by pressing the lever down on the right side, and up on the left side. Then pull outwards on the drawer until it comes free of the runners.



Releasing drawer from sides

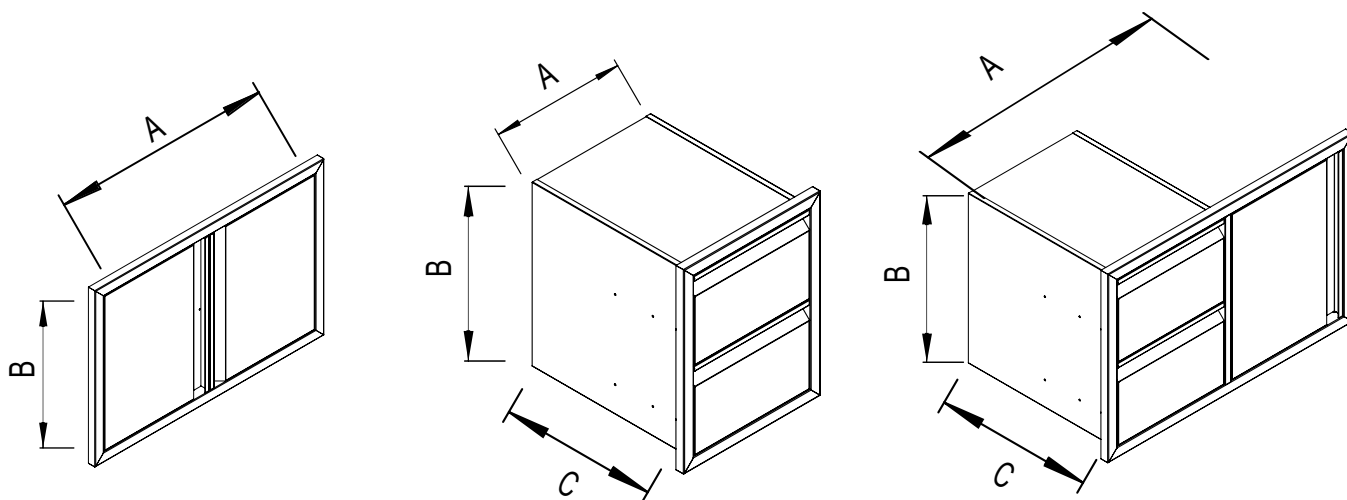
1. In order to properly support the weight of your drawer, it is necessary to provide a secure, level surface in the rear of the cabinet (See below). Be sure that the height of this rear support is the same height as the front opening support, so that your drawer sits level. Releasing drawer.



2. Slide the drawer into the opening of the island and use suitable screws (not included in the product scope) to screw the drawer in place at the intended points.
3. To reinsert the drawer, completely pull out the slide rails and place the drawer on the rails, and then close the drawer. Open the drawer to verify that it has locked in place.

Cut-out dimensions

Model	Product cut-out dimensions (inch)		
	A	B	C
BE-TRLP-DRW	18 1/8	24 1/4	15 3/4
BE-TRNW-DRW	12	24 3/8	18 3/4
BE-1-2-30	30 1/4	19 1/2	20 3/4
BE1-3-39	37 5/8	19 1/2	20 5/8
BE-AD2-32	28 3/4	18 1/4	-
BE-AD38	35 3/4	18 1/4	-
BE-SV20	14 1/4	20 1/4	-
BE-DRW2-15	15 3/8	19 5/8	21
BE-DRW3-15	15 3/8	27 5/8	21



IMPORTANT! Always keep all accessories ready when building an island so you can make sure everything fits properly.

Cleaning

By following these recommendations, you will enjoy the beauty and convenience of your unit for many years to come.

- Clean your unit by first using stainless steel cleaner to remove grease and dirt. Always wipe with the grain. Next, apply stainless steel polish and wipe down using polish wipes to restore the stainless steel color.
- If your unit is installed in a seaside (salt air) or poolside (chlorine) location, it will be more susceptible to corrosion and must be maintained/cleaned more frequently. Do not store chemicals (such as chlorine or fertilizer) near your stainless steel unit.
- Due to the nature of stainless steel, surface iron oxide deposits may appear. Do not be alarmed—these deposits are removable with stainless-steel cleaner through prompt and periodic maintenance. If not attended to promptly, permanent pitting may occur.